

> 3S 500 D (multiturn actuator) Grid operation of tomorrow

AUTOMATION OF GATE VALVES, BUTTERFLY VALVES AND BALL VALVES

- » **No manhole:** little costs for civil and underground engineering even with retrofitting valves thanks to the installation System Berliner Kappe®
- » **No data cabling, PLC or switching cabinet:** bidirectional SCADA integration and accessibility at all times thanks to x-active M2M communication technology
- » **No grid connection:** one year battery lifetime without recharging thanks to 3S Energy Save Technology



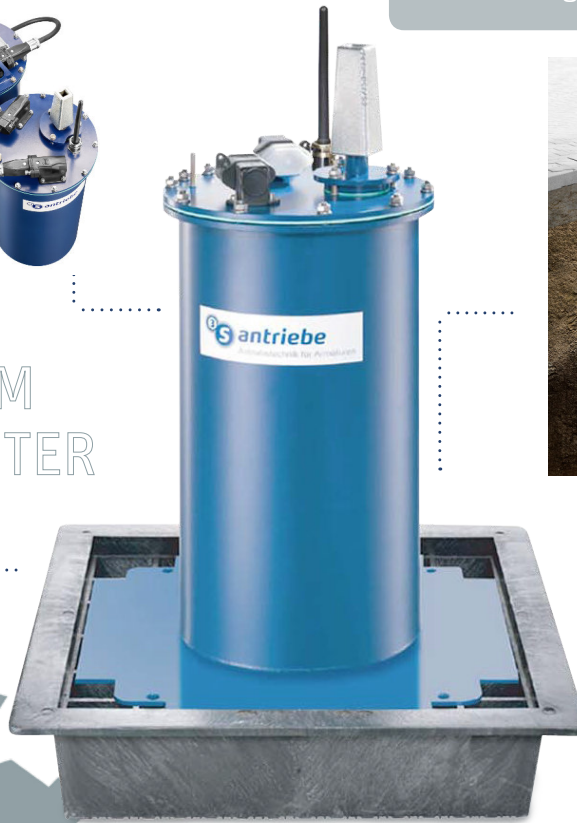
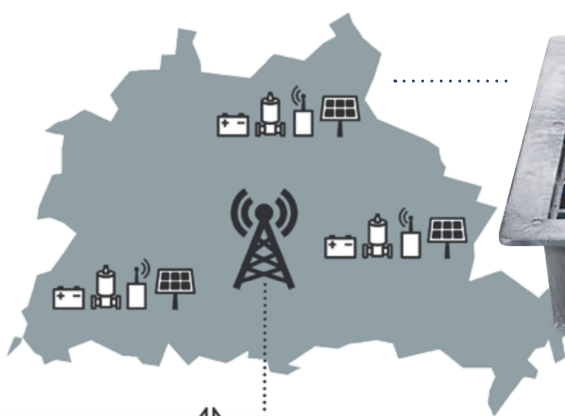
REMOTE

Standard application: 230VAC and integration via PLC

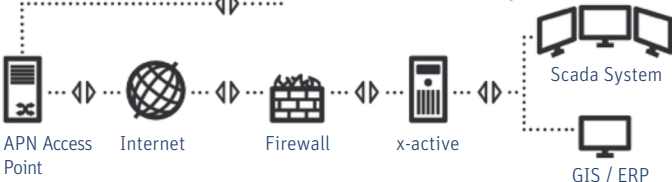


WIRELESS FROM CONTROL CENTER

NO MANHOLE



ISO FLANGE



> 3S 500 D

> Technical data

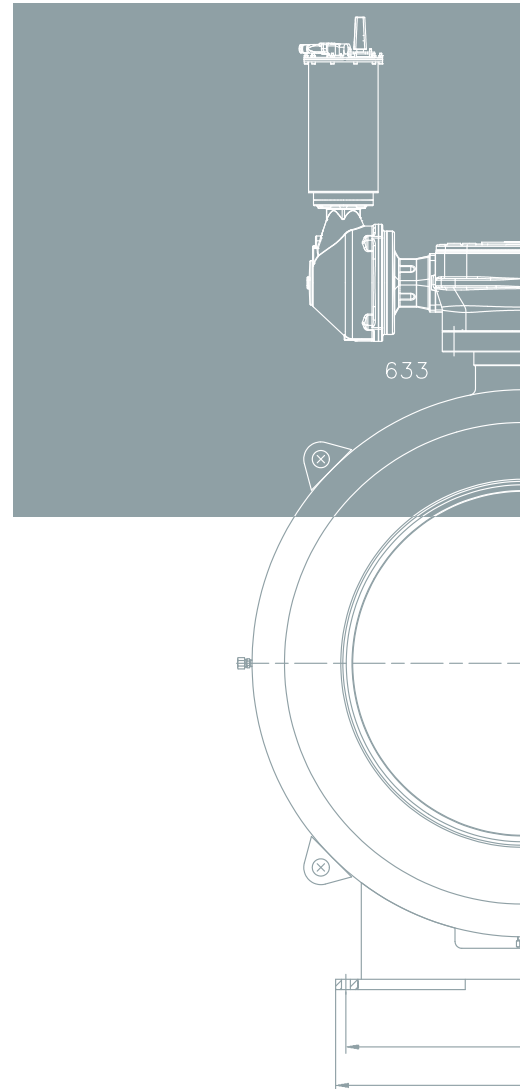
Actuator	Power	Max. Rotation speed ¹	Adjustment range of torque limitation ²	Valve connection	
	W	[1/min]	[Nm]	Flange EN ISO 5210 / 5211	System Berliner Kappe [®] installation depth [m] ³
3S 500 D-225	550	34	up to 225	F 14	0,8 - 4
3S 500 D-450	550	17	up to 450	F 14	0,8 - 4

¹ the maximum rotation speed is available up to approx. 50% of the maximum torque ² The maximum torque is available up to approx. 30 % of the maximum rotation speed ³ Installation according to the System Berliner Kappe[®]; depth of installation valve square-end

For all types of actuators		Standard	Optional
Duty type	Open-close duty ¹	x	
	Positioning duty ¹	x	
	Modulating duty ¹		x
Service conditions	Power coated casing from stainless steel	x	
	Enclosure protection IP 68, 2m	x	
	Low temperature version		x
	Explosion protection (ATEX Zone 2)	x	
Functions	Motor operation	x	
	Manual operation by standard square-end	x	
	Limit seating	x	
	Torque seating	x	
	Overload protection of the valve	x	
	Overhead control	x	
	Individual closing profile ²	x	
Feedback signals and indication	Valve end positions	x	
	Valve position	x	
	Intermediate positions	x	
	Actuator is running	x	
	Mechanical valve position indication		x
	Fault (excessive temperature)	x	
	Fault (torque fault)	x	
	Torque curve		x
Actuator control	Integral control incl. fieldbus interface ³	x	
	Integral evaluation device ⁴		x
	3S Energy Save Modus		x
	x-active GSM module		x
	GSM antenna		x
	Local control		x
Electrical connection	230 V AC	x	
	85 - 280 V AC		x
	40 - 58 V DC		x
	Electrical connection with plug/socket	x	
	Data connection with plug/socket	x	

¹ S3 - 30 min 50% ² continuously variable rotation speed ³ Profibus DP, Modbus RTU, etc.

⁴ the integral evaluation device allows valve operation according to external sensor data (for example pressure)



3S Antriebe GmbH
Schichauweg 52
12307 Berlin

Tel +49(30)7007764-0
Fax +49(30)7007764-20
info@3S-Antriebe.de

www.3S-Antriebe.de