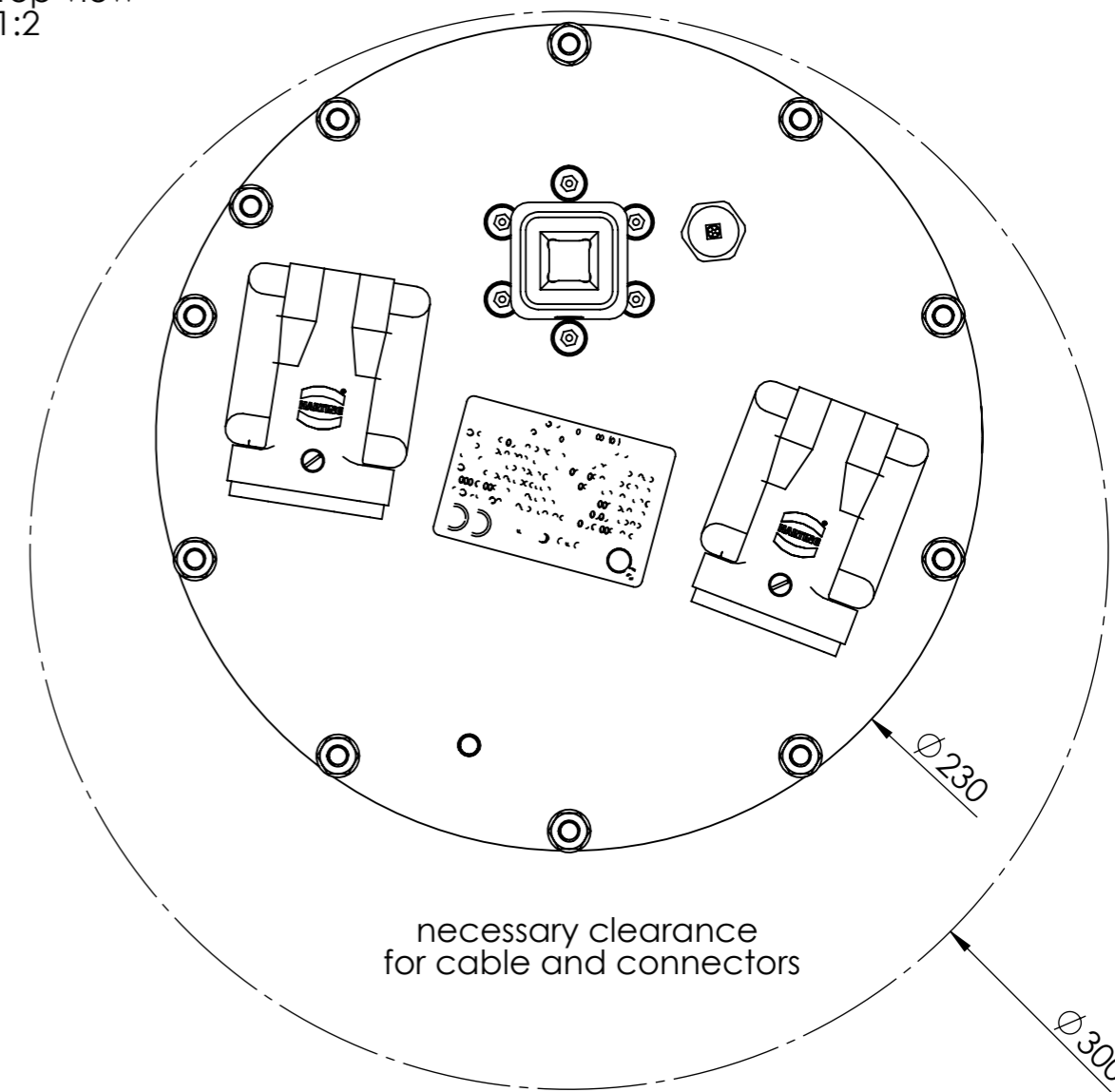
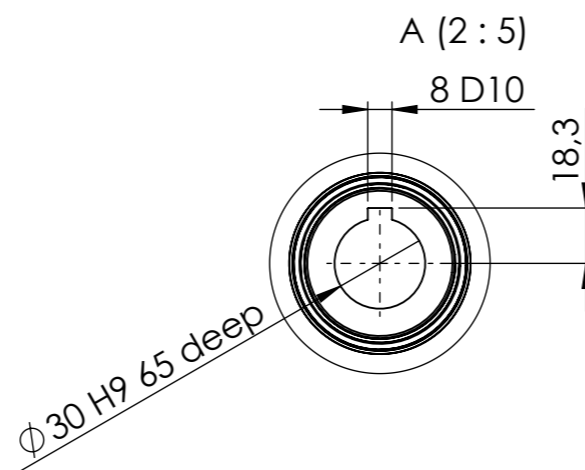
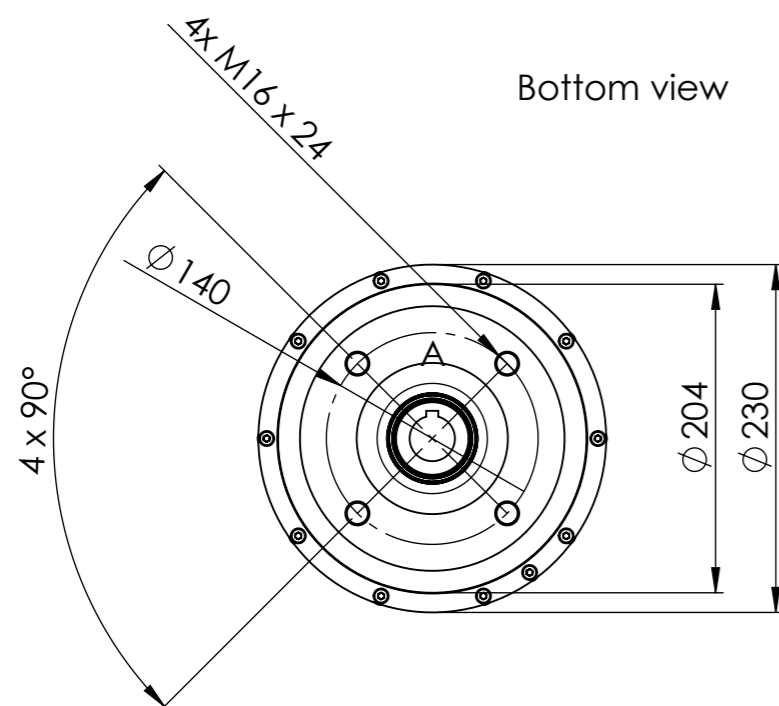


Top view
1:2



Bottom view




Protection class according to DIN EN 60529: IP 68 2m

Mounting position: square-end facing up

Installation depth: max. 300mm between surface level and top of actuator square-end, preferably 150mm (mind size of manhole cover)

Servicing clearance: central clearance on top with respect to actuator casing, min D = 250mm



Title							Customer Drawing 3S 500 D 2.0		 Antriebs-technik für Armaturen	
Material				Status	Revision	Tolerances				
miscellaneous				Design	00.00					
Weight (g)	Scale	Date	Drawn by	Checked by	Format	Index	DWG No			
32800	1:5	06.06.2017	D. Bohle	D. Olszewski	A3	1	02.0202			