

> 3S AIG XS Valve Maintenance Device

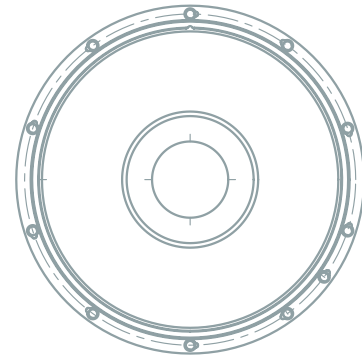


> Models

Model	Torque	Rotation speed
	max.	max.
XS-900	900	20
XS-450	450	43

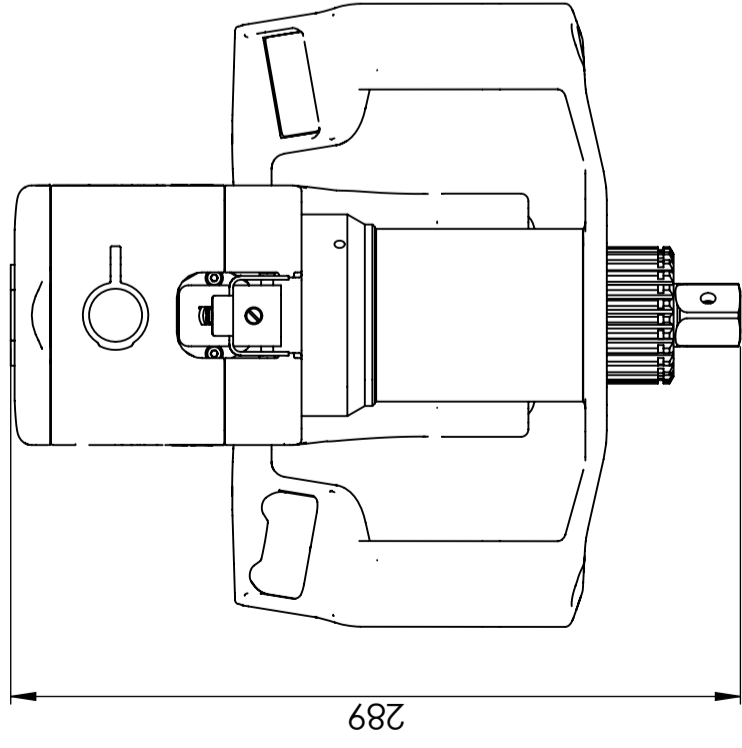
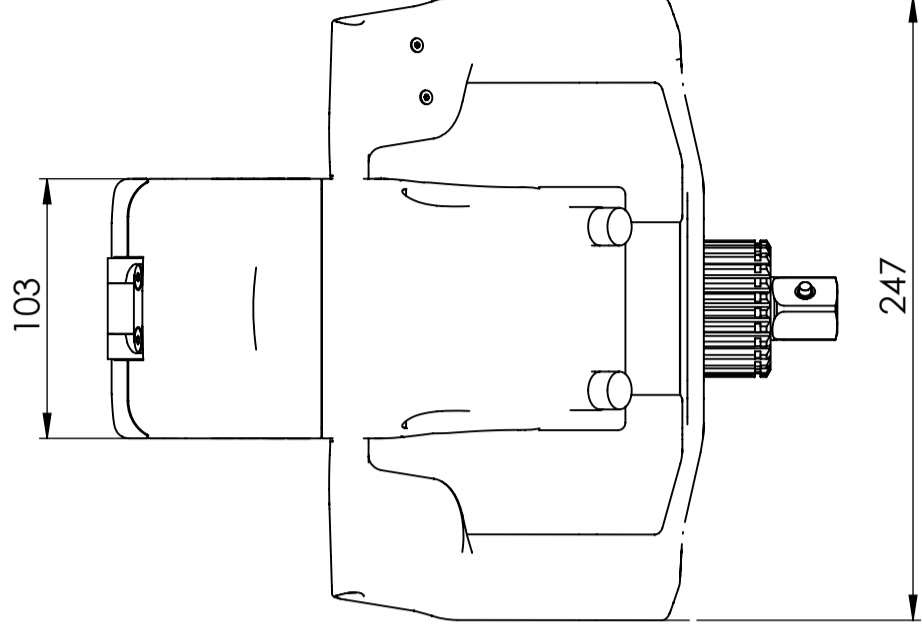
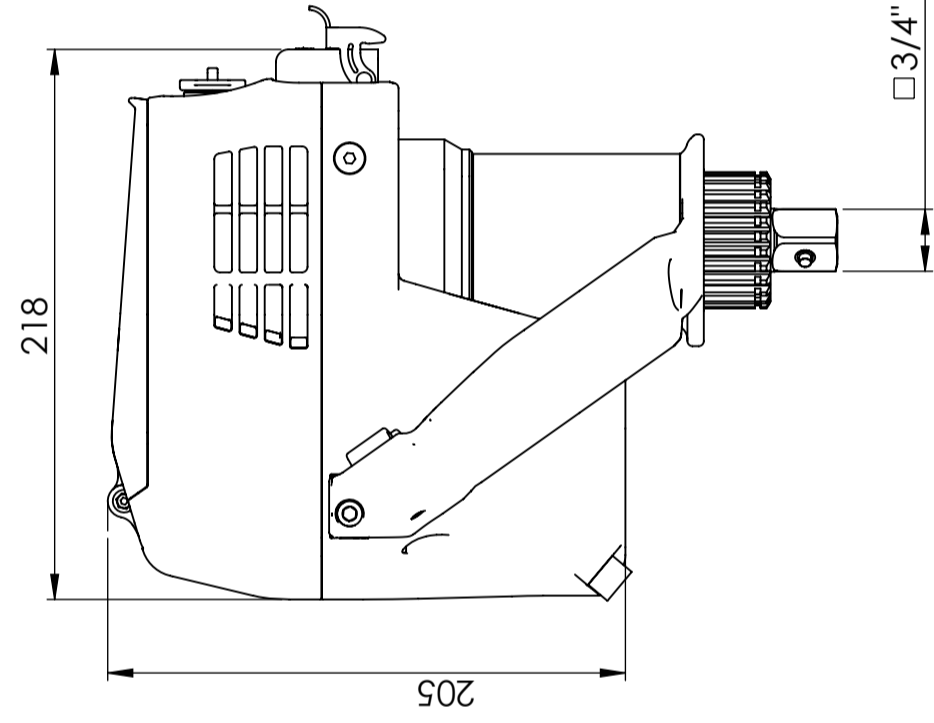
> Control

Touch-screen user interface	5 inch, 480x800 RGB
Torque/ speed control	Via touch-screen user interface and two-way electronic switch
Feed-back valve status data	Current torque and position, valve turns, maximum torque
Valve selection	Via touch-screen user interface
Data interface valve master/measurement data	USB, WLAN



> Actuator data

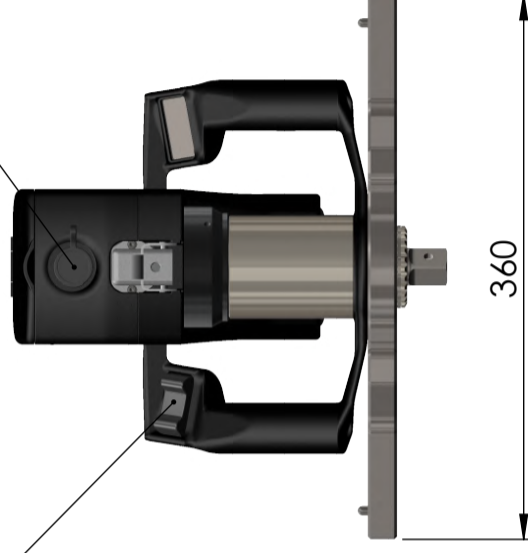
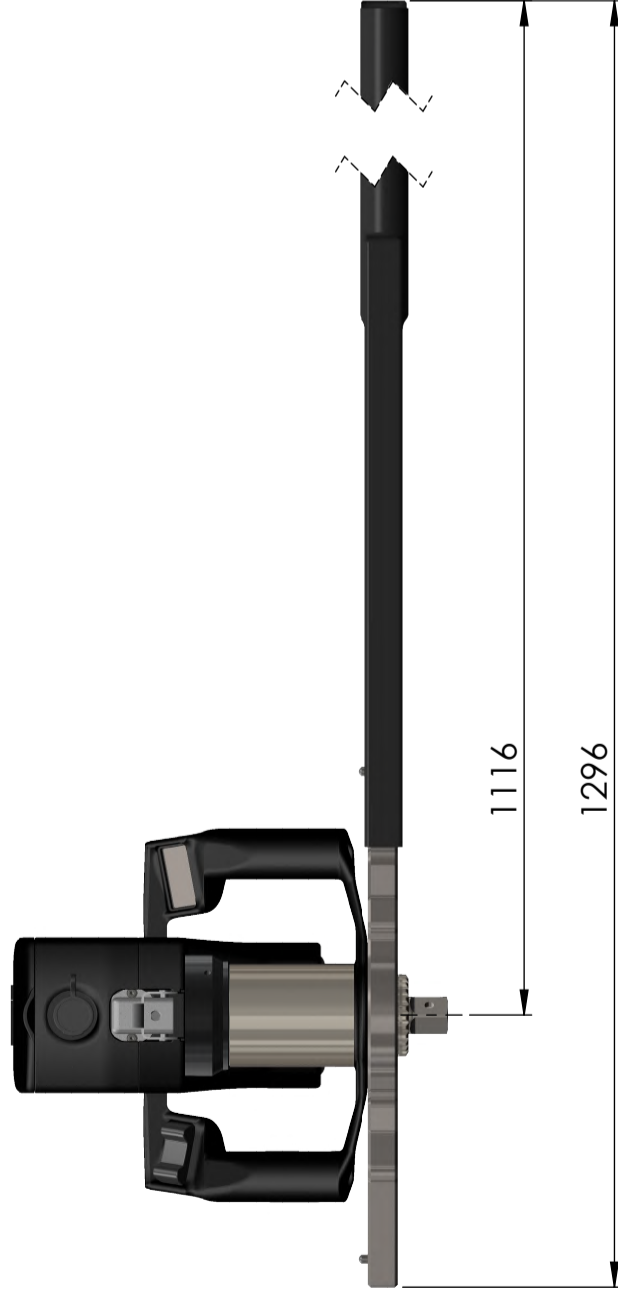
Weight	5.6 kg
Power supply	50 V DC über 3S Akkupack 600/900 (600 Wh, 12 Ah/900Wh. 18 Ah)
Power input	1500 W max.
Motor protection	Thermosensor, current limiting
Torque switching	Electronic continuous adjustment
Position feedback	Digital motor control
Connection gearbox output	3/4 inch square-end
Motor	Variable-speed 48 V DC, synchronous motor, permanent excitation
Operating mode	Duty type S2-30 min, duty type S3-50 % 60 min
Gearbox	High-performance planetary gearing
Protection class	IP23
Ambient temperature	-10 to + 40 °C



View below Scale 1:5

manual switch

Touchscreen



Title		Customer Drawing 3S AIG XS 2.0		Status		Revision		Tolerances	
Material		miscellaneous		Checked by		Format		DWG No	
Weight (g)		5600*		Date		A3		07.0132	
Scale		1:3		Drawn by		S. Sacharowitz		Index	
		30.06.2021		D. Bohle		0			



* Weight AIG XS 2.0 with reaction arm and one hand lever extension: 8600g



3S Antriebe GmbH
Schichauweg 52
12307 Berlin

Tel +49(30)7007764-0
Fax +49(30)7007764-20
info@3S-Antriebe.de

www.3S-Antriebe.de