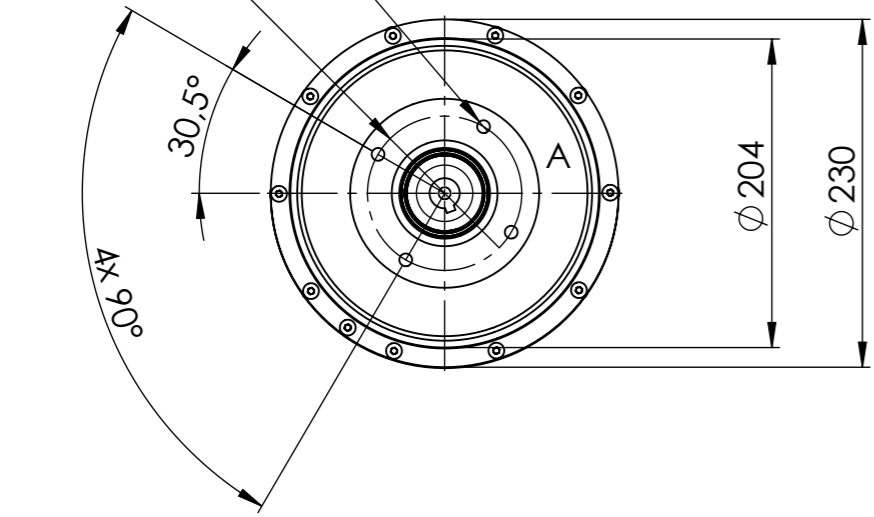
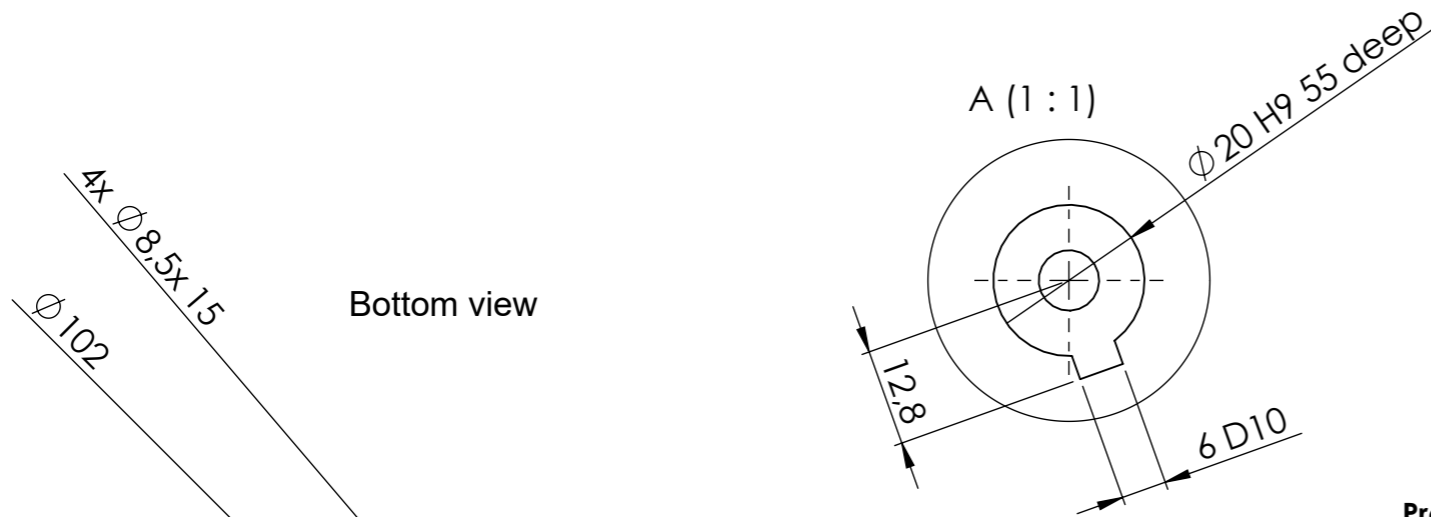
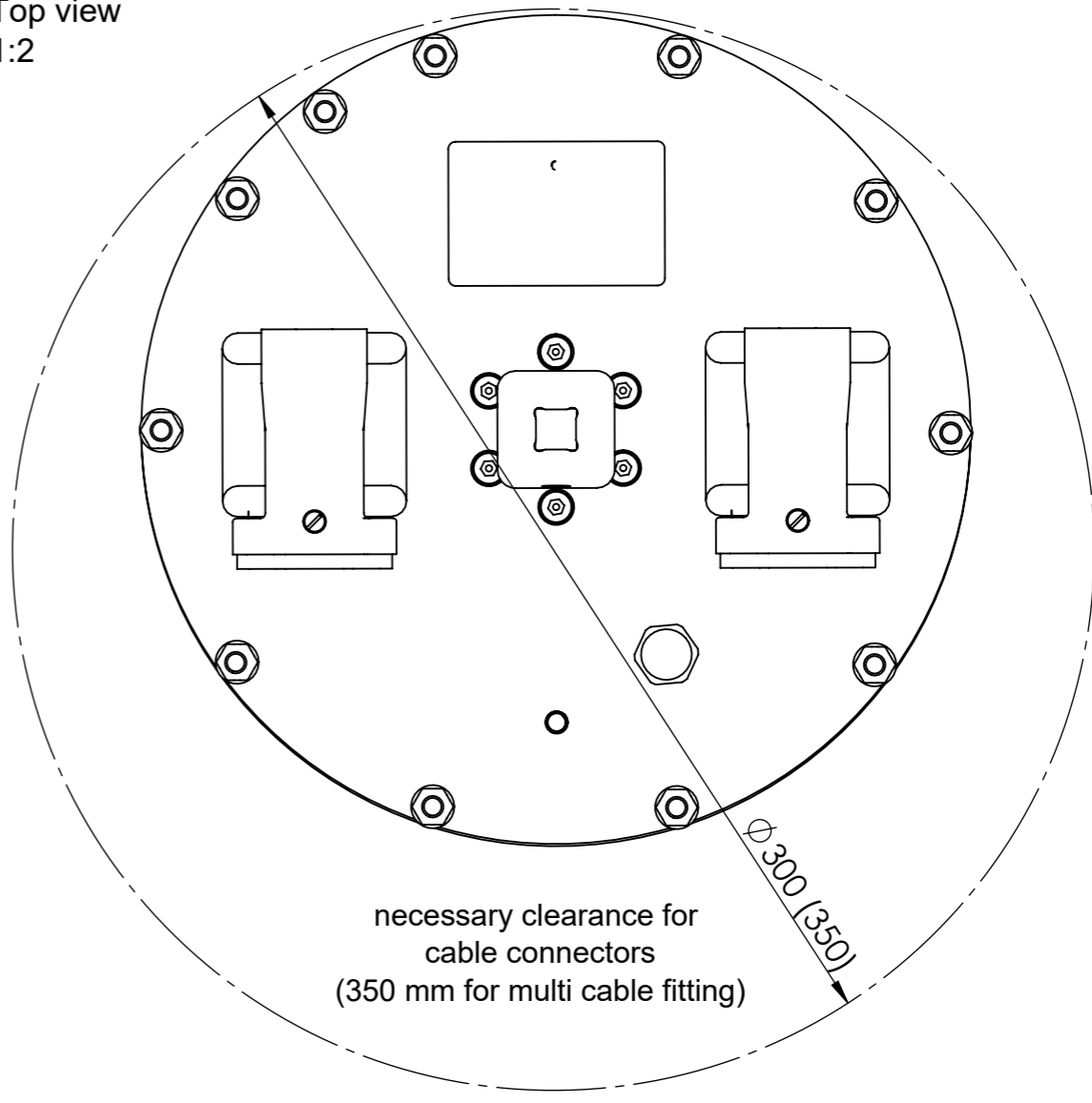


Top view
1:2

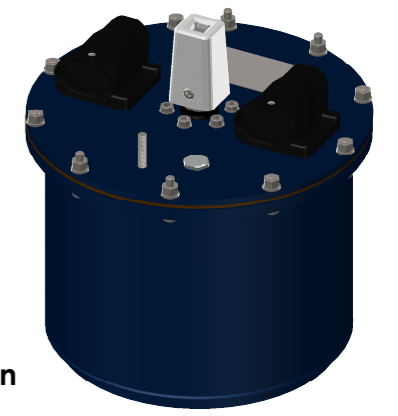



Protection class according to DIN EN 60529: IP 68 2m

Mounting position: upright

Manhole installation:

- max. 300 mm distance from square-end to surface level
- 300/350 mm eccentric clearance for cable connectors as shown
- 250 mm centric clearance in manhole cover with respect actuator



Title						Customer Drawing 3S 300 D			 Antriebs-technik für Armaturen		
Material			Drawing type			Sheet No		Tolerances			
-			Customer drawing			1 / 1		-			
Weight (g)		Scale	Date		Drawn by	Checked by		Format	Index	DWG No	
16000		1:5	07.01.2026		D. Bohle	S. Sacharowitz		A3	3	08.0033	