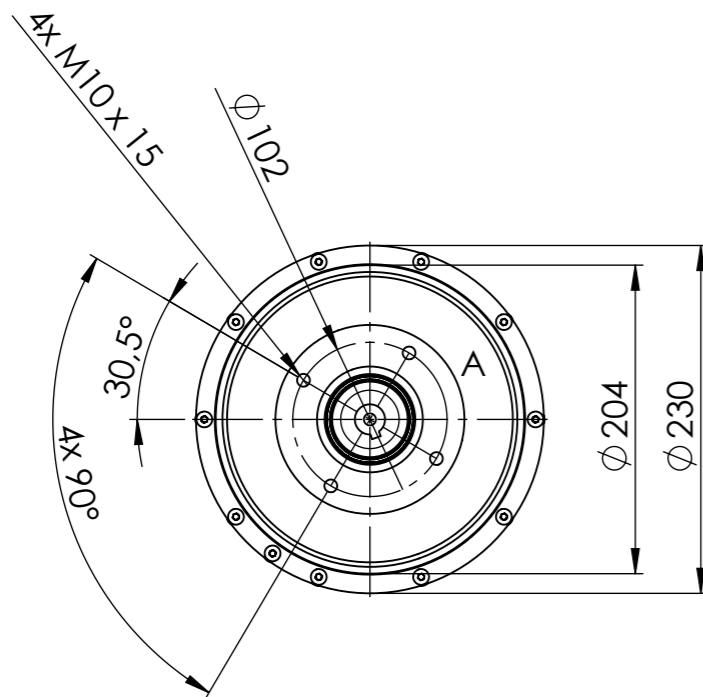
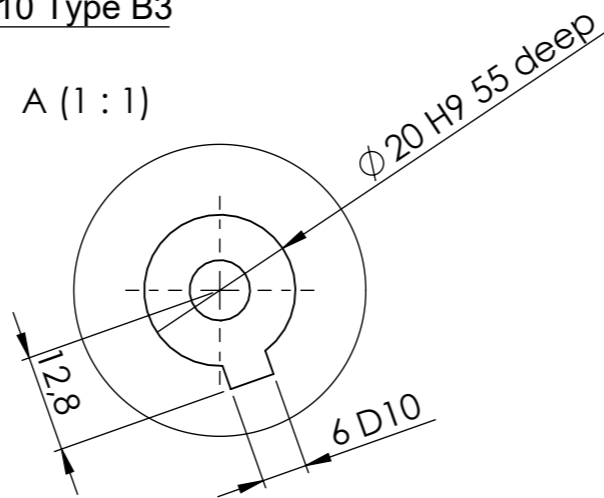
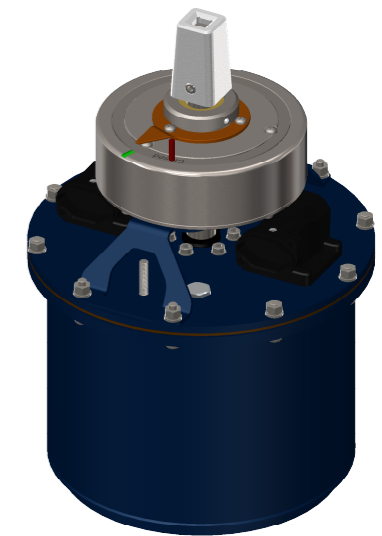
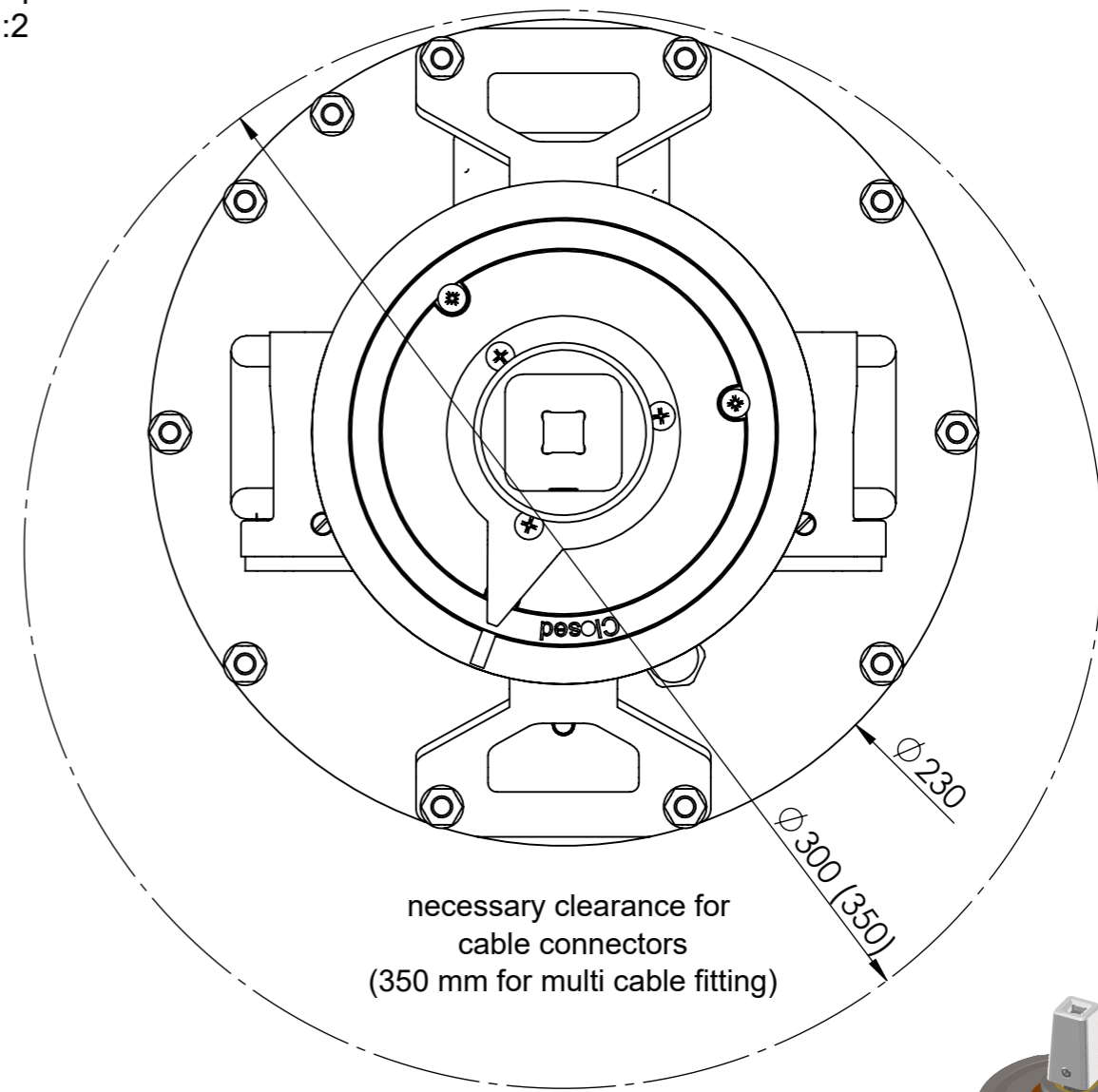


Bottom view



Top view
1:2




Protection class according to DIN EN 60529: IP 68 2m

Mounting position: upright

Manhole installation:

- max. 300 mm distance from square-end to surface level
- 300/350 mm eccentric clearance for cable connectors as shown
- 250 mm centric clearance in manhole cover with respect actuator

Title						Customer Drawing 3S 300 DP		 Antriebstechnik für Armaturen	
Material			Drawing type		Sheet No		Tolerances		
-			Customer drawing		1 / 1		-		
Weight (g)		Scale	Date	Drawn by		Checked by	Format	Index	DWG No
19500		1:5	07.01.2026	D. Bohle		S. Sacharowitz	A3	3	08.0034