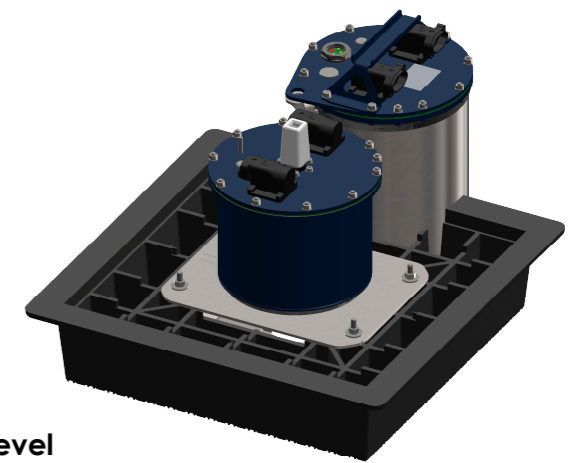



Protection class according to DIN EN 60529: IP 68 2m

Mounting position: upright

Manhole installation:

- **max. 300 mm distance from square-end to surface level**
- **300/350 mm eccentric clearance for cable connectors**
- **500 mm centric clearance in manhole cover with respect to actuator and battery**



Title						Customer drawing 3S 300 D with battery pack		 Antriebstechnik für Armaturen	
Material			Drawing type		Sheet No		Tolerances		
-			Customer drawing		1 / 1		-		
Weight (g)		Scale	Date	Drawn by	Checked by		Format	Index	DWG No
-		1:5	07.01.2026	D. Bohle	S. Sacharowitz		A3	2	08.0058